

MOTOR DRIVEN DOSING PUMPS  
**SPRING SERIES**



## Plunger piston Metering pumps

# PS1 Series

PS1 pumps are plunger piston metering pumps featuring a spring return mechanism in an aluminium housing.



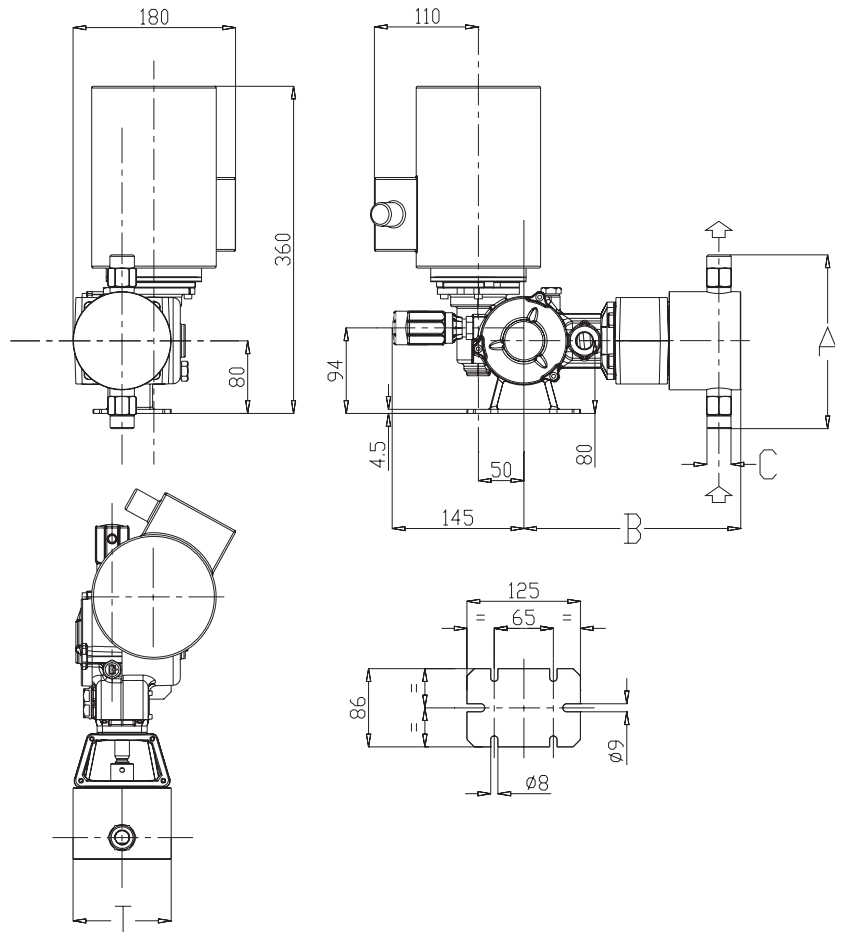
### FEATURES

Capacity:	from 1,5 to 304 L/h
Max pressure:	20 BAR
Stroke rate:	58 • 78 • 116 strokes/minute
Piston diameter:	from 6 to 64 mm
Motor:	standard 0,18 and 0,25 Kw (IP 55)
Stroke length:	15 mm

MODEL	PISTON DIAMETER	Strokes/min	FLOW RATE (l/h)	MAX PRESSURE				CONNECTIONS		3phases Motor (kw)
				bar		psi		SS 316	PVC	
				SS 316	PVC	SS 316	PVC			
PS1D006A	6	58	1,5	20	10	435	145	1/4 g f	1/4 g f	0,18
PS1D006B		78	2							
PS1D006C		116	3							
PS1D011A	11	58	5	20	10	435	145	1/4 g f	1/4 g f	0,18
PS1D011B		78	6,5							
PS1D011C		116	10							
PS1D017A	17	58	11	20	10	435	145	3/8 g f	3/8 g f	0,18
PS1D017B		78	15							
PS1D017C		116	22							
PS1D025A	25	58	25	20	10	435	145	3/8 g f	3/8 g f	0,18
PS1D025B		78	32							
PS1D025C		116	50							
PS1D030A	30	58	35	20	10	406	145	3/8 g f	3/8 g f	0,25
PS1D030B		78	45							
PS1D030C		116	70							
PS1D038A	38	58	55	17	10	246,5	145	3/8 g f	3/8 g f	0,25
PS1D038B		78	73							
PS1D038C		116	110							
PS1D048A	48	58	85	10	10	145	145	1/2 g f	1/2 g f	0,25
PS1D048B		78	114							
PS1D048C		116	170							
PS1D054A	54	58	110	8	8	116	116	1/2 g f	1/2 g f	0,25
PS1D054B		78	145							
PS1D054C		116	220							
PS1D064A	64	58	152	6	4	87	58	3/4 g f	3/4 g f	0,25
PS1D064B		78	204							
PS1D064C		116	304							

Piston diameter	SS 316 L			
	A	B	C	T
6	120	210	1/4 g.f.	68
11	120	210	1/4 g.f.	68
17	120	210	3/8 g.f.	68
25	120	215	3/8 g.f.	68
30	120	215	3/8 g.f.	68
38	160	227	3/8 g.f.	88
48	160	227	1/2 g.f.	88
54	173	229	1/2 g.f.	108
64	202	238	3/4 g.f.	108

Piston diameter	PVC			
	A	B	C	T
6	157	216	1/4 g.f.	80
11	157	216	1/4 g.f.	80
17	147	216	3/8 g.f.	80
25	147	225	3/8 g.f.	80
30	147	225	3/8 g.f.	80
38	168	235	3/8 g.f.	100
48	196	240	1/2 g.f.	100
54	216	240	1/2 g.f.	120
64	222	250	3/4 g.f.	120



## PUMP HEAD MATERIALS

	21	31	24	34	41
<b>PUMP HEAD</b>	SS 316	PVC	SS 316	PVC	PVDF
<b>PISTON</b>	SS 316	Ceramic	Ceramic	Ceramic	Ceramic
<b>PISTON SEAL</b>	FPM	FPM	EPDM	EPDM	FPM
<b>VALVES</b>	SS 316	PYREX	SS 316	PYREX	PYREX
<b>VALVE SEATS</b>	SS 316	PVC	SS 316	PVC	PVDF

### LIQUID END

SS 316 or PVC pump head (standard).

### SS 316 OR CERAMIC PISTON

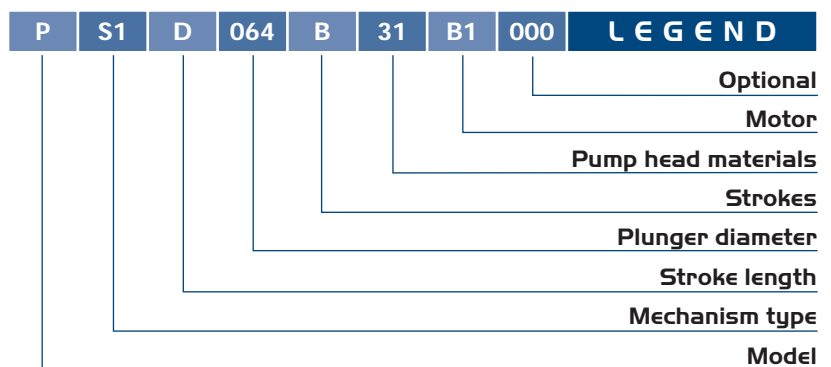
The material in contact with the liquid to be dosed are listed in the "pump head materials" table (special materials may be supplied on request).

### MAX DOSAGE TEMPERATURE

- SS 316 pump head: 90° C
- PVC pump head: 40° C

### FLOW RATE ADJUSTMENT

Every pump can be equipped with an electric actuator which accepts a 4-20 mA.



## Plunger piston Metering pumps

# PS2 Series

PS2 pumps are plunger piston metering pumps featuring a spring return mechanism in an aluminium housing.

### FEATURES

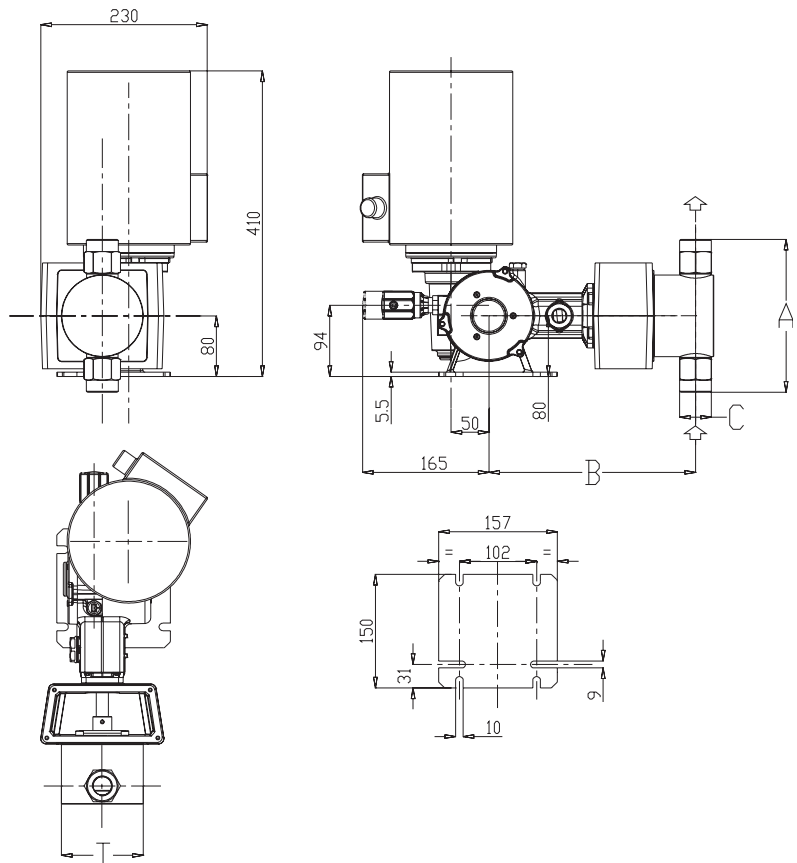
Capacity:	from 40 to 1000 L/h
Max pressure:	20 BAR
Stroke rate:	58 • 78 • 116 strokes/minute
Piston diameter:	from 25 to 89 mm
Motor:	standard 0,25 • 0,37 • 0,55 • 0,75 Kw (IP 55)
Stroke length:	25 mm



MODEL	PISTON DIAMETER	Strokes/min	FLOW RATE (l/h)	MAX PRESSURE				CONNECTIONS		3phases Motor (kw)
				bar		psi		SS 316	PVC	
				SS 316	PVC	SS 316	PVC			
PS2E025A	25	58	40	20	10	435	145	3/8 g f	3/8 g f	0,25
PS2E025B		78	53							
PS2E025C		116	80							
PS2E030A	30	58	55	20	10	435	145	3/8 g f	3/8 g f	0,25
PS2E030B		78	75							
PS2E030C		116	112							
PS2E038A	38	58	90	20	10	435	145	1/2 g f	3/8 g f	0,37
PS2E038B		78	120							
PS2E038C		116	180							
PS2E048A	48	58	140	20	10	290	145	1/2 g f	1/2 g f	0,55
PS2E048B		78	190							
PS2E048C		116	284							
PS2E054A	54	58	180	15	10	217,5	145	1/2 g f	1/2 g f	0,55
PS2E054B		78	242							
PS2E054C		116	365							
PS2E064A	64	58	250	10	10	145	145	3/4 g f	3/4 g f	0,75
PS2E064B		78	335							
PS2E064C		116	505							
PS2E076A	76	58	365	7	7	101,5	101,5	1 g f	1 g f	0,75
PS2E076B		78	485							
PS2E076C		116	730							
PS2E089A	89	58	495	5	5	72,5	72,5	1 g f	1 g f	0,75
PS2E089B		78	660							
PS2E089C		116	1000							

Piston diameter	SS 316 L			
	A	B	C	T
25	120	258	3/8 g.f.	68
30	120	258	3/8 g.f.	68
38	160	268	1/2 g.f.	88
48	160	268	1/2 g.f.	88
54	173	268	1/2 g.f.	108
64	202	273	3/4 g.f.	108
76	238	288	1" g.f.	138
89	252	288	1" g.f.	150

Piston diameter	PVC			
	A	B	C	T
25	147	258	3/8 g.f.	80
30	147	258	3/8 g.f.	80
38	168	268	3/8 g.f.	100
48	196	268	1/2 g.f.	100
54	216	268	1/2 g.f.	120
64	222	273	3/4 g.f.	120
76	244	288	1" g.f.	148
89	256	288	1" g.f.	160



## PUMP HEAD MATERIALS

	21	31	24	34	41
<b>PUMP HEAD</b>	SS 316	PVC	SS 316	PVC	PVDF
<b>PISTON</b>	SS 316	Ceramic	Ceramic	Ceramic	Ceramic
<b>PISTON SEAL</b>	FPM	FPM	EPDM	EPDM	FPM
<b>VALVES</b>	SS 316	PYREX	SS 316	PYREX	PYREX
<b>VALVE SEATS</b>	SS 316	PVC	SS 316	PVC	PVDF

### LIQUID END

SS 316 or PVC pump head (standard).

### SS 316 OR CERAMIC PISTON

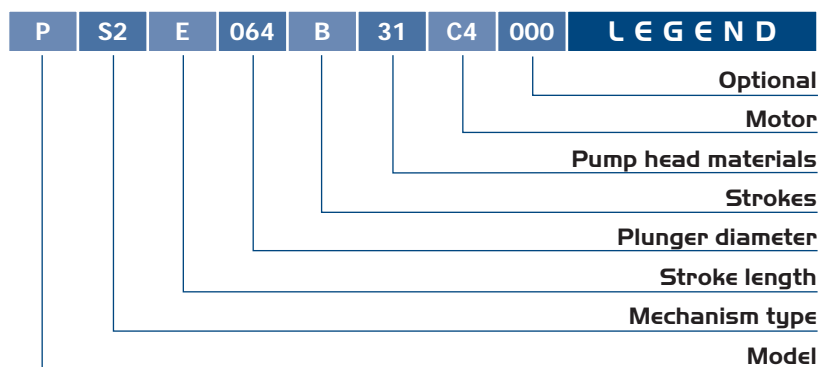
The material in contact with the liquid to be dosed are listed in the "pump head materials" table (special materials may be supplied on request).

### MAX DOSAGE TEMPERATURE

- SS 316 pump head: 90° C
- PVC pump head: 40° C

### FLOW RATE ADJUSTMENT

Every pump can be equipped with an electric actuator which accepts a 4-20 mA.



# Mechanical Diaphragm Metering Pumps

## MS1 Series

MS1 pumps are mechanical diaphragm metering pumps featuring a spring return mechanism in an aluminium housing.

### FEATURES

Capacity:	from 5,5 to 460 L/h
Max pressure:	10 BAR
Stroke rate:	58 • 78 • 116 strokes/minute
Diaphragm diameter:	from 65 to 165 mm
Motor:	standard 0,18 • 0,25 • 0,37 Kw (IP 55)
Stroke length:	2 mm • 4 mm • 6 mm



MODEL	DIAPHRAGM DIAMETER	STROKE LENGTH (mm)	STROKES/min	FLOW RATE (l/h)	MAX PRESSURE				CONNECTIONS		3phases Motor (kw)
					bar		psi		SS 316	PP	
					SS 316	PP	SS 316	PP			
MS1A065A	65	2	58	5,5	10	10	145	145	1/4 g f	1/4 g f	0,18
MS1A065B			78	8							
MS1A065C			116	11							
MS1A094A	94	2	58	20	10	10	145	145	3/8 g f	3/8 g f	0,25
MS1A094B			78	26							
MS1A094C			116	40							
MS1B108A	108	4	58	60	10	10	145	145	3/8 g f	3/8 g f	0,37
MS1B108B			78	80							
MS1B108C			116	120							
MS1C138A	138	6	58	155	7	7	101,5	101,5	3/4 g f	3/4 g f	0,37
MS1C138B			78	220							
MS1C138C			116	310					1" g f	1" g f	
MS1C165A	165	6	58	230	5	5	72,5	72,5	1" g f	1" g f	0,37
MS1C165B			78	330							
MS1C165C			116	460							



# Mechanical Diaphragm Metering Pumps

## M50 Series

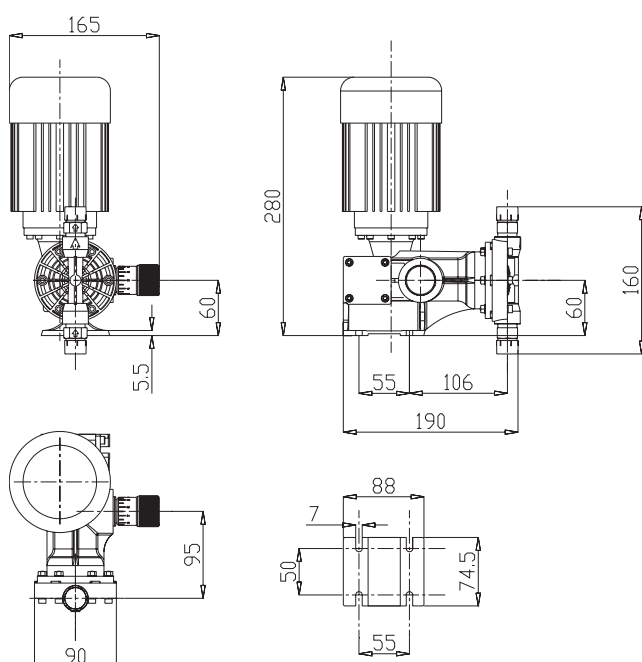
M50 pumps are mechanical diaphragm metering pumps featuring a spring return mechanism in a plastic housing.



### FEATURES

Capacity:	from 17 to 47 l/h
Max pressure:	5 bar
Stroke rate:	41 • 58 • 82 • 116 strokes/minute
Diaphragm diameter:	50 mm
Motor:	standard 0,08 kw (IP55)
Stroke length:	2 mm

MODEL	DIAPHRAGM DIAMETER	STROKES/min	FLOW RATE (l/h)	MAX PRESSURE		CONNECTIONS		3phases Motor (kw)
				bar	psi	SS 316	PP	
MS0A050E	50	41	17	5	72,5	1/2 g m	1/2 g m	0,08
MS0A050A		58	23					
MS0A050F		82	34					
MS0A050C		116	47					



### PUMP HEAD MATERIALS

	21	31	51
PUMP HEAD	SS 316	PVC	PP
DIAPHRAGM	PTFE	PTFE	PTFE
VALVES	SS 316	PYREX	PYREX
VALVE SEATS	SS 316	PVC	PP

M	S0	A	050	A	51	000	LEGEND
							Optional
							Motor
							Pump Head Materials
							Strokes
							Diaphragm diameter
							Stroke length
							Mechanism Type
							Model

# ACCESSORIES

## Adjustable safety valves (SS316/PTFE)



MODEL	Flow rate l/h	Pressure (bar)		Connections BSP	CODE
		min	max		
VS1S	250	0	19	1/2" F	VS1S250019
		20	45		VS1S250045
		46	150		VS1S250150
VS2S	650	0	13	3/4" F	VS2S650013
		14	30		VS2S650030
		31	100		VS2S650100

## Adjustable safety valves (FPM diaphragm)



MODEL (material)	Flow rate l/h	Pressure (bar)		Connections BSP	CODE
		min	max		
PRM-S (SS316)	300	0	5	3/8" F	PRM1S03005
	800			3/4" F	PRM2S08005
	1500			1" F	PRM3S15005
PRM-P (PVC)	300	0	5	3/8" F	PRM1P03005
	800			3/4" F	PRM2P08005
	1500			1" F	PRM3P15005

## "Y" Suction filters



MODEL (material)	Connections BSP	CODE
FYP PVC	3/8" F	FYP3240200
	1/2" F	FYP3230040
	3/4" F	FYP3230060
	1" F	FYP3230080
FYS (SS316)	3/8" F	FYS3240098
	1/2" F	FYS3240100
	3/4" F	FYS3240110
	1" F	FYS3240120

# ACCESSORIES

## Backpressure valves (SS316)



MODEL	Flow rate l/h	Pressure (bar)	Connections BSP	CODE
VZX-S-02	50	2	1/4" M	VZX1S00502
	100		1/4" F	VZX3S01002
	200		3/8" F	VZX4S02002
	420		1/2" F	VZX5S04202
	800		3/4" F	VZX6S08002
	1650		1" F	VZX7S16502
VZX-S-10	100	10	1/4" F	VZX3S01010
	200		3/8" F	VZX4S02010
	420		1/2" F	VZX5S04210
	800		3/4" F	VZX6S08010
	1650		1" F	VZX7S16510

## Adjustable Backpressure valves (FPM diaphragm)



MODEL (material)	Flow rate l/h	Pressure (bar)		Connections BSP	CODE
		min	max		
VSM-S (SS316)	300	0	5	3/8" F	VSM1S03005
	800			3/4" F	VSM2S08005
	1500			1" F	VSM3S15005
VSM-P (PVC)	300	0	5	3/8" F	VSM1P03005
	800			3/4" F	VSM2P08005
	1500			1" F	VSM3P15005

# ACCESSORIES

## Pulsation bag HST series



Capacity (L)	Pressure (bar)	Material		Connections BSP	CODE
		Body	Diaphragm		
0,04	10	PVC	FPM	3/8" F	HSTP004V01
0,1					HSTP010V01
0,35				1/2" F	HSTP035V01
0,8					HSTP080V01
1,5				3/4" F	HSTP150V01
2,3					HSTP130V01

## Pulsation bag HTR series



Capacity (L)	Pressure (bar)	Material		Connections BSP	CODE
		Body	Diaphragm		
0,1	230	SS316	NBR	3/8" BSP F	HTRS010N23
0,35				1/2" BSP F	HTRS035N23
0,5					HTRS050N23
0,8					HTRS080N23
1,5				3/4" BSP F	HTRS150N23
2,3					HTRS230N23

## Fitting-Testing unit AR series



Pressure (bar)	CODE
6	AR10PM0006
12	AR11PM0012
40	AR01PM0040
60	AR02PM0060
100	AR03PM0100
160	AR04PM0160
250	AR05PM0250



SEKO do Brasil **BRAZIL** • SEKO China **CHINA** • SEKO France **FRANCE** • SEKO Deutschland **GERMANY** • SEKO Italia **ITALY**  
 OOO SEKO **RUSSIA** • SEKO Asia Pacific **SINGAPORE**  
 SEKO Southern Africa **SOUTH AFRICA** • SEKO Iberica **SPAIN**  
 SEKO UK **UNITED KINGDOM** • SEKO Dosing Systems **USA**

